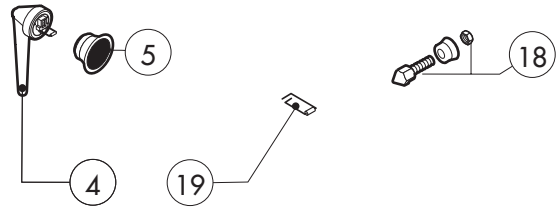
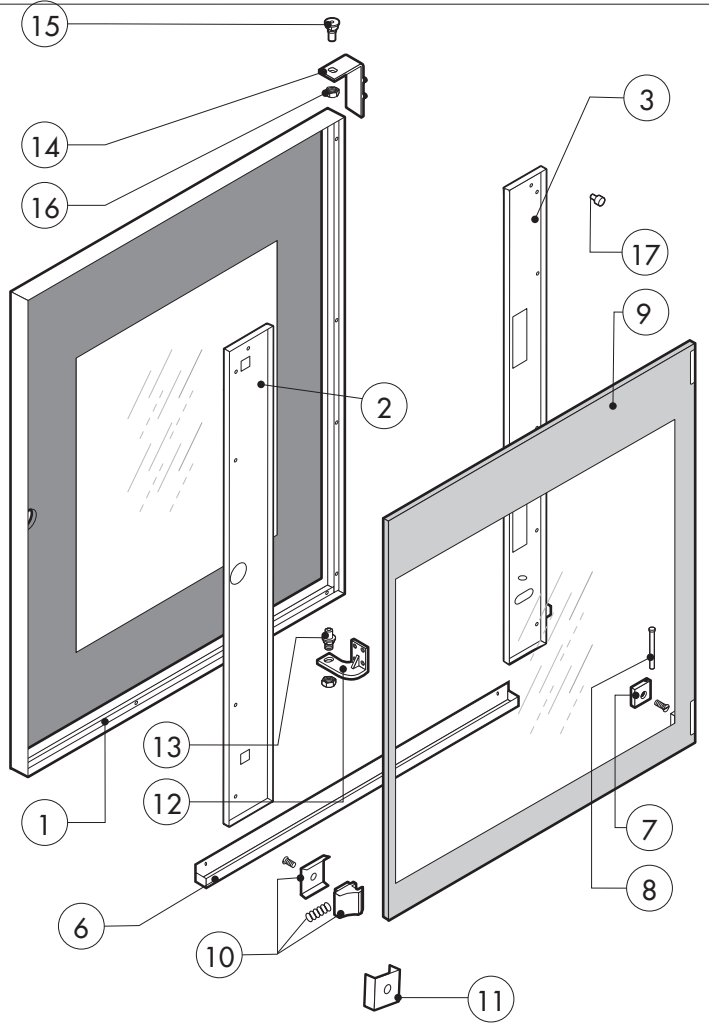
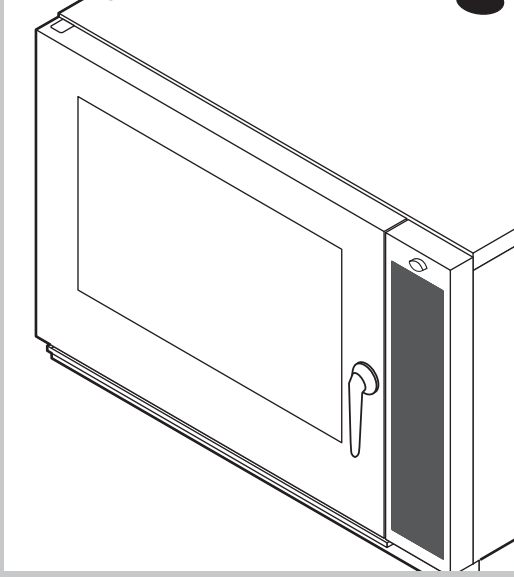


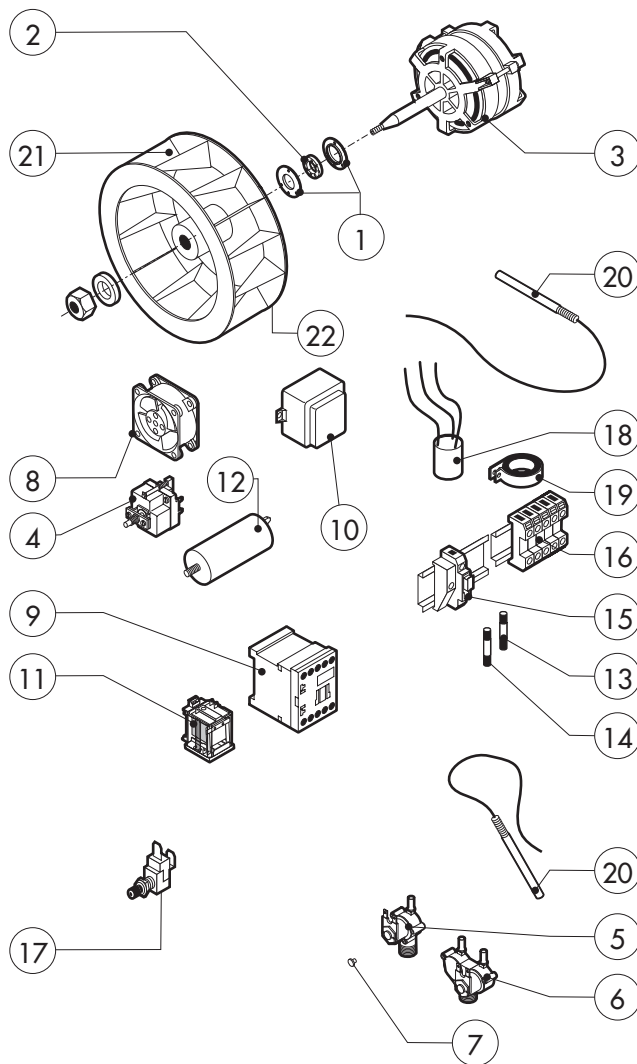
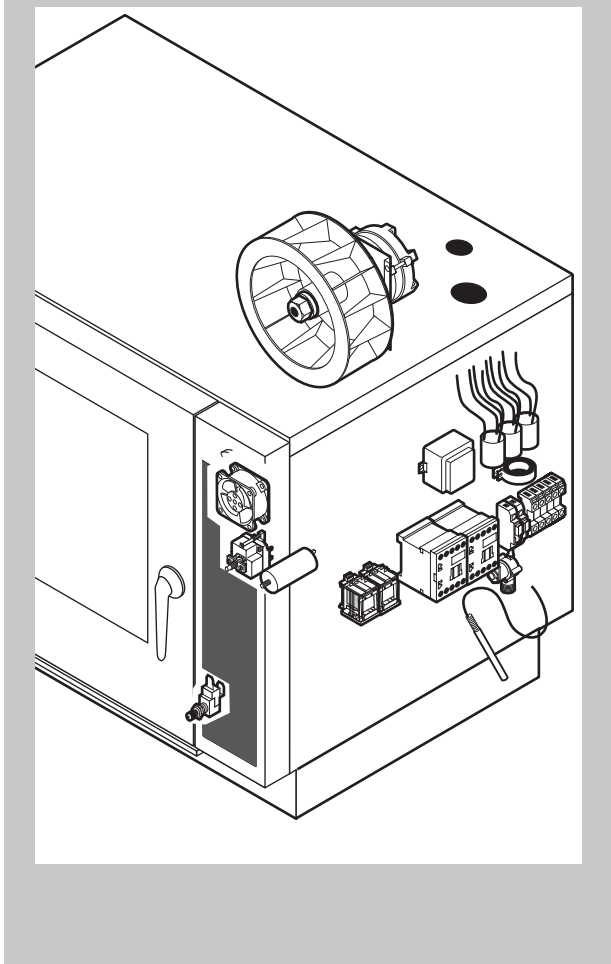
POS.	CODE	PIECES	DESCRIPTION
1	R18100130	1	DOOR ASSEMBLY
2	R18203240	1	CONTROL PANEL
3	R18200540	1	SPRITZER EXTENSION
4	R18201430	1	SPRITZER UNION
5	R18210470	1	COOKING CABINET ASSEMBLY+LEFT SIDE PANEL
6	R65270510	1	LAMP COVER
7	R18402080	1	FAN GUARD PANEL ASSEMBLY
8	R18402170	1	RIGHT SIDE PANEL
9	R18402160	1	REAR PANEL
10	R18420510	1	COVER PANEL
11	R58006400	2	FAN GUARD FASTENING SCREW
12	R70044340	1	FRONT GASKET
13	R18400500	2	REMOVABLE RACK

POS.	CODE	PIECES	DESCRIPTION



POS.	CODE	PIECES	DESCRIPTION
1	R18203060	1	DOOR
2	R18417920	1	RIGHT DOOR POST
3	R18417930	1	LEFT DOOR POST
4	R69010210	1	DOORHANDLE
5	R69010630	1	DOORHANDLE COVER
6	R18417950	1	DOOR BASIN
7	R58001760	2	INNER GLASS SOLID HINGE
8	R58001770	2	INNER GLASS HINGE PIN
9	R71201570	1	OUTER DOOR GLASS
10	R58001780	2	INNER GLASS CATCH KIT
11	R11401350	2	OUTER DOOR GLASS FLANGE
12	R18421580	1	LOWER DOOR HINGE
13	R58002520	1	LOWER HINGE PIN
14	R18421570	1	UPPER DOOR HINGE
15	R58002150	1	UPPER HINGE PIN
16	R58004050	2	NUT FOR UPPER DOOR HINGE
17	R70050100	6	GLASS SILICON SPACERS
18	R69010260	1	DOOR LATCH 1 STEP
19	R61620132	1	PRONG FLANGE

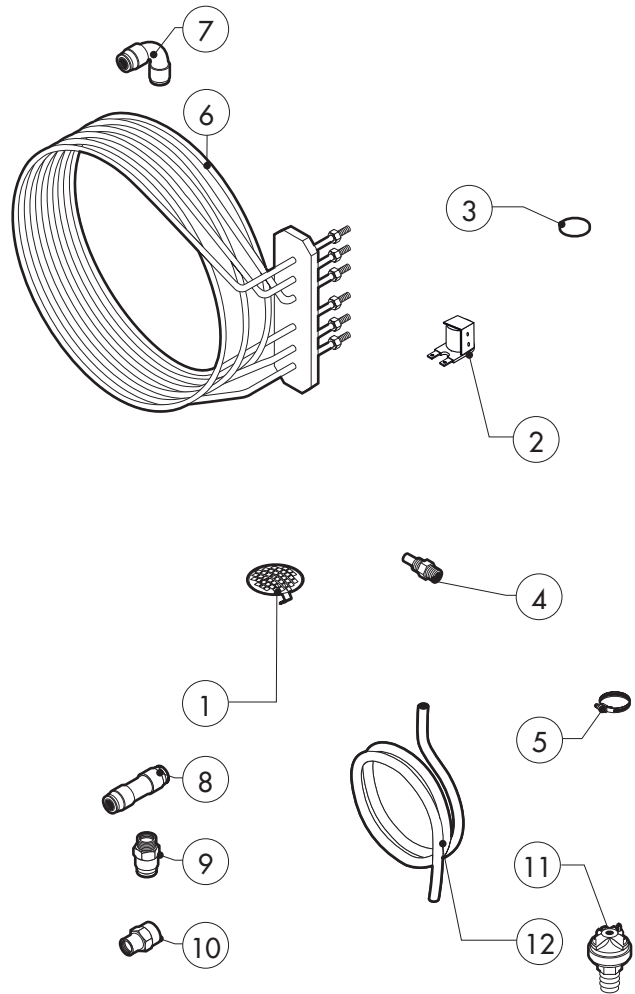
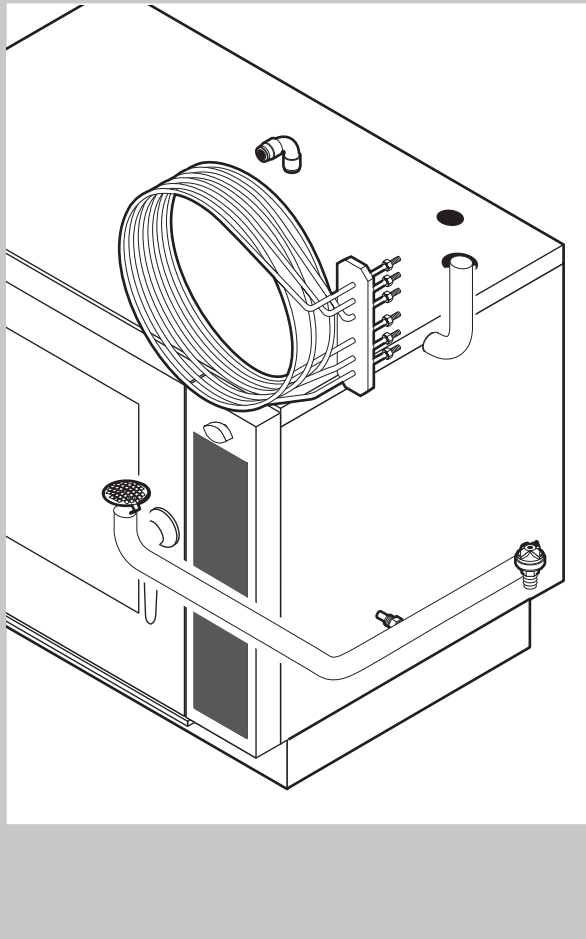
POS.	CODE	PIECES	DESCRIPTION



POS.	CODE	PIECES	DESCRIPTION
1	R58005500	1	MOTOR GASKET BRASS FLANGE
2	R70020020	1	MOTOR GASKET
3	*R65041000	1	MOTOR 200W
4	R65070350	1	CHAMBER SAFETY THERMOSTAT
5	R65110200	1	SOLENOID VALVE 220V 50HZ
6	R65110230	1	SOLENOID VALVE 220V 50HZ WITH FLOW REDUCER
7	R65110500	1	10 LT/H WATER FLOW REDUCER
8	R65060050	1	COMPONENTS VENTILATION MOTOR Ø 120
9	*R65140700	2	CONTACTOR DIL M9-01 4KW-20A
10	R65180420	1	TRANSFORMER 20VA
11	R65170100	2	RELAY 240V AC 16A 62.82300308
12	*R65190180	1	CAPACITOR 10 µF
13	R65200200	1	FUSE 2A
14	R65200086	1	FUSE 0.125A (T)
15	R65210020	2	FUSE CARRIER
16	R65220091	1	TERMINAL BOARD
17	R65260540	1	DOOR SWITCH
18	*R65280200	3	INTERFERENCE SUPPRESSOR
19	*R65280450	1	FERRITE

POS.	CODE	PIECES	DESCRIPTION
20	R65320220	2	PROBE "K" 6X80 1,5ML.
21	*R75400410	1	FAN Ø 180x77/12 50HZ P.D.
22	R75400430	1	FAN Ø 180x77/8 60HZ P.D.

*COMPONENT SUBMITTED TO CHANGEMENTS CAUSED BY TENSION DIFFERENT FROM THE STANDARD (3N AC 400V 50HZ)



POS.	CODE	PIECES	DESCRIPTION
1	R18200260	1	DRAIN FILTER
2	R65090300	1	MAGNETIC SPOOL
3	R70050130	1	DAMPER
4	R58006130	1	STEAM QUENCHING NOZZLE Ø 1
5	R61630011	2	METAL CLAMPS 12-22/9
6	R65011530	1	CHAMBER HEATING ELEMENT 6000W
7	R62090478	3	ELBOW MIDLING PIPE FITTING D.10
8	R62090458	1	STRAIGHT MIDLING PIPE FITTING D.10
9	R62090508	1	10X1/4 STRAIGHT THREADED TERMINAL PIPE FITTING
10	R62030118	1	1/8"-1/4" FEMALE REDUCTION COUPLING
11	R63070050	1	WATER SAFETY PRESSURE SWITCH 1/8" 0,5-0,35 BAR
12	R70070070	1	PE D.10 MM X7 WATER FLEXIBLE PIPE (1 MT LONG)

POS.	CODE	PIECES	DESCRIPTION

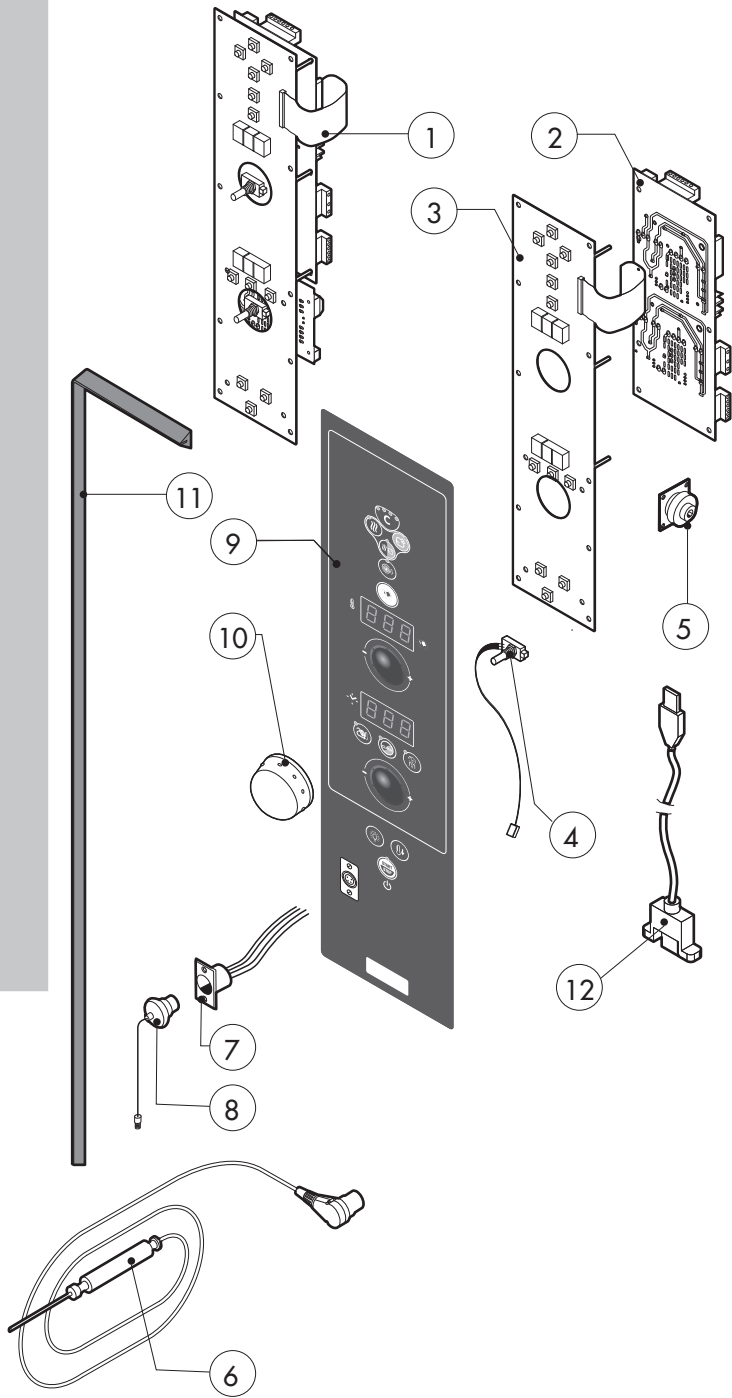
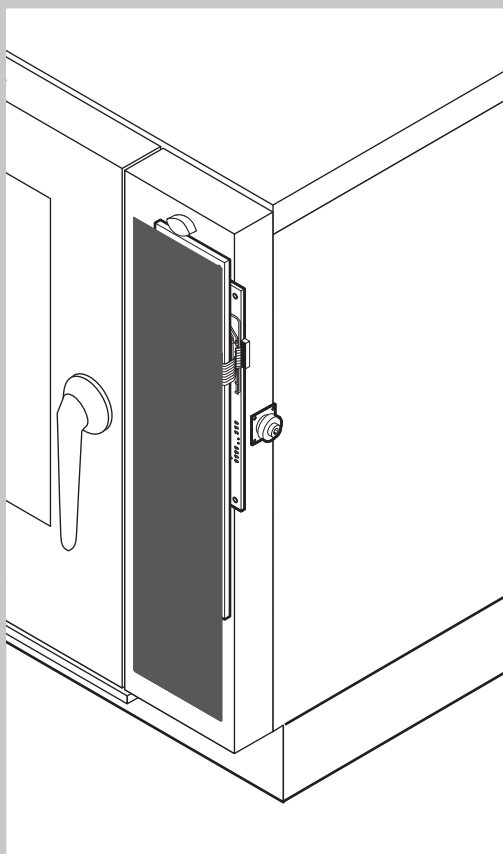
*COMPONENT SUBMITTED TO CHANGEMENTS CAUSED BY TENSION DIFFERENT FROM THE STANDARD (3N AC 400V 50HZ)

Serie New

EDIZIONE 0211

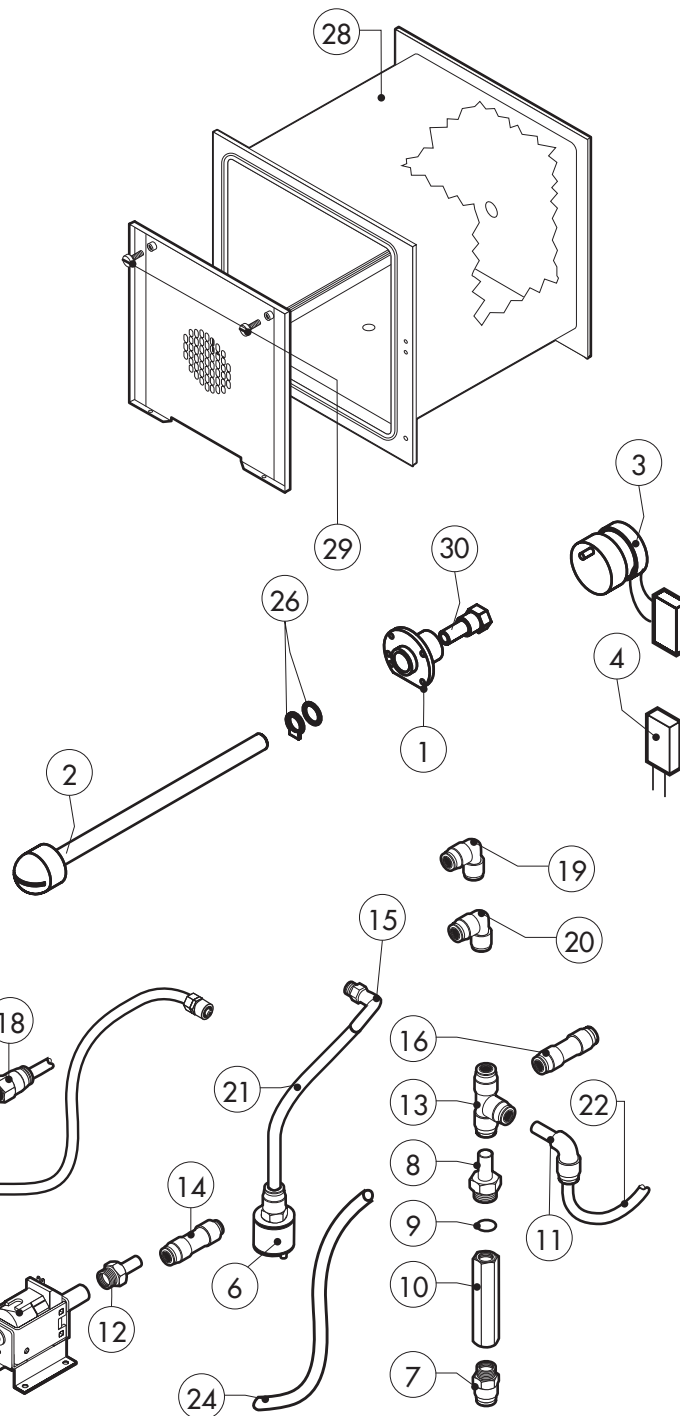
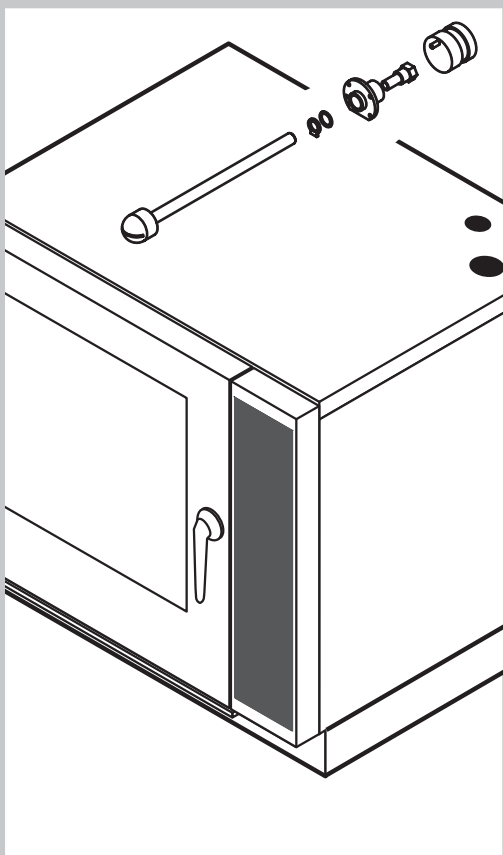
SVE 051 S

tav. D



POS.	CODE	PIECES	DESCRIPTION
1	R65302220	1	CONTROL PANEL P.C. BOARD "S" MOD
2	R65302280	1	MAIN PC BOARD "S" MOD
3	R65302270	1	RELAY PC BOARD "S" MOD
4	R65301940	2	FRONT PC BOARD ENCODER
5	R65301960	1	PC BOARD BUZZER
6	R65321120	1	CORE TEMPERATURE PROBE
7	R65320920	1	CORE TEMPERATURE PROBE FEMALE CONNECTOR
8	R65321020	1	COVER FOR FEMALE CONNECTOR
9		1	PLATE
10	R69030280	2	KNOB
11	R70044250	1	CONTROL PANEL GASKET
12	R65301970	1	PC BOARD CONNECTION USB

POS.	CODE	PIECES	DESCRIPTION



POS.	CODE	PIECES	DESCRIPTION
1	R58007020	1	WASHING SYSTEM FLANGE
2	R58007050	1	WASHING SYSTEM INNER ASSEMBLY
3	R65090250	1	WASHING GEARED MOTORS WITH CAPACITOR
4	R65190230	1	CAPACITOR 0,27 µF
5	R65110600	1	DETRGENT PUMP
6	R65110650	1	BOTTOM FILTER
7	R62090508	1	10X1/4 STRAIGHT THREADED TERMINAL PIPE FITTING
8	R62090518	5	10X1/4 END SIDE PIPE FITTING (WITH TANG)
9	R70010050	6	OR GASKETS
10	R65110640	2	ANTI-BACK FLOW
11	R62090528	3	ELBOW PIPE FITTING (WITH TANG) 10 X 10
12	R62090608	1	8X1/8 END SIDE PIPE FITTING (WITH TANG)
13	R62090468	1	"T" MIDLING PIPE FITTING D.10
14	R62090618	1	10-8 REDUCTION PIPE FITTING
15	R62090648	1	ELBOW PIPE FITTING
16	R62090458	1	STRAIGHT MIDLING PIPE FITTING D.10
17	R62090482	1	RAPID MALE PIPE FITTING
18	R62090538	1	1/4" FEMALE STRAIGHT PIPE FITTING FOR D.8X6 PIPE
19	R62090633	1	ELBOW PIPE FITTING BRASS D.10

POS.	CODE	PIECES	DESCRIPTION
20	R62090663	1	ELBOW PIPE FITTING BRASS D.10x1/4"
21	R70070100	1	PE D.8 MM X 6 DETERGENT FLEXIBLE PIPE
22	R70070070	1	PE D.10 MM X7 WATER FLEXIBLE PIPE (3 MT LONG)
23	R70070080	1	PE D.23 MM X13 FLEXIBLE PIPE (1 MT LONG)
24	R70070090	1	PE D.12 MM X7 SILICONE PIPE (1 MT LONG)
25	R65110210	1	SOLENOID VALVE 220V 50HZ
26	R70045120	1	GASKETS KIT
27	R61630011	2	METAL CLAMPS 12-22/9
28	R18210480	1	COOKING CABINET ASSEMBLY+LEFT SIDE PANEL
29	R18402070	1	FAN GUARD PANEL ASSEMBLY
30	R58007000	1	ROTATING PIVOT